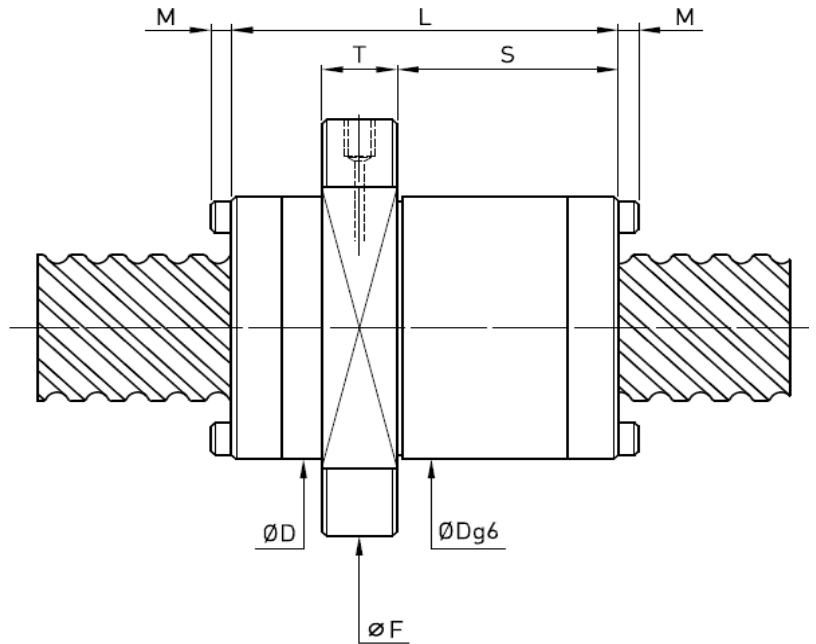
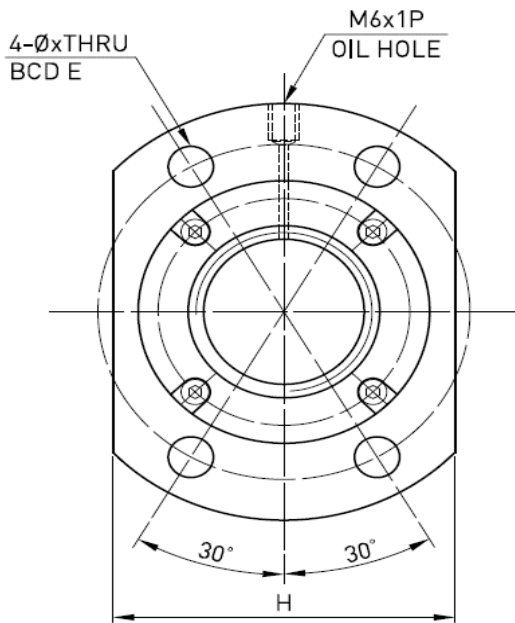


## FSH TYPE

### ROLLED BALLSCREW



Model	Size		Ball Dia.	Circuits	Dynamic Load $1 \times 10^6$ revs C (kgf)	Static Load Co (kgf)	Nut		Flange				Bolt X	Fit	
	Nominal Dia	Lead					D	L	F	T	BCD-E	H		S	M
16-16S2	16	16	3.175	1.8x2	780	1830	32	48	53	10	42	38	4.5	26	0
20-20S2	20	20	3.175	1.8x2	870	2290	39	48	62	10	50	46	5.5	27.5	0
25-25S2	25	25	3.969	1.8x2	1300	3600	47	67	74	12	60	56	6.6	39.5	3
32-32S2	32	32	4.763	1.8x2	1840	5450	58	85	92	15	74	68	9	48	0