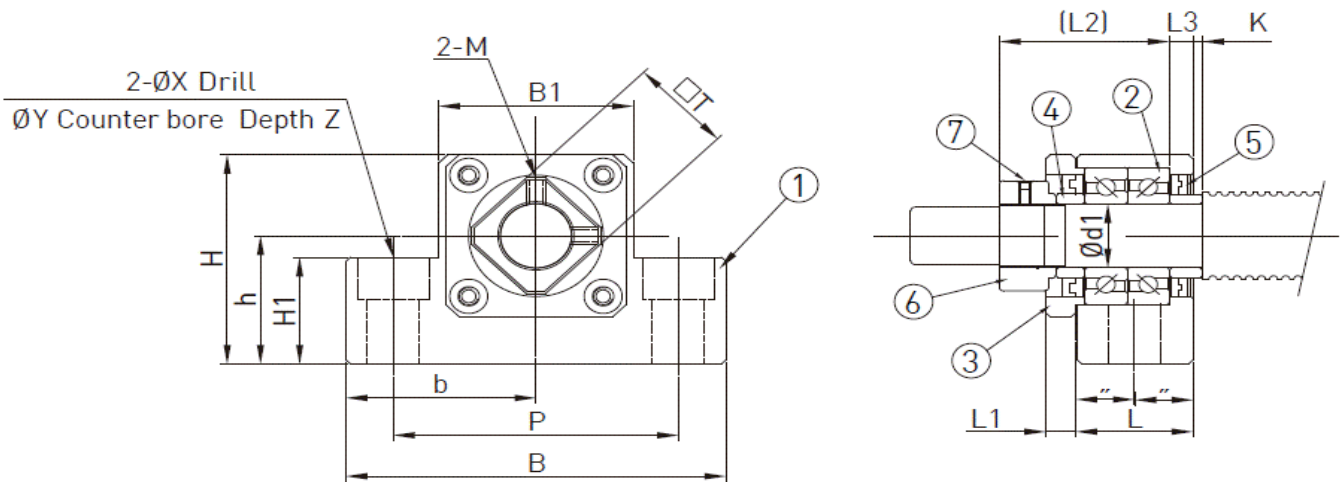


EK SERIES

FIXED SIDE



Part Number	Part Name	Qty
1	Housing	1
2	Bearing	1 Set
3	Holding Lid	1
4	Collar	2
5	Seal	2
6	Set Screw	1
7	Hexagonal Socket-Head Setscrew with Set Piece	2



Specification	Main Dimensions (mm)																		
	d1	L	L1	L2	L3	K	B	H	b (Note 1)	h (Note 1)	B1	H1	P	X	Y	Z	M	T	Weight (kg)
EK06	6	20	-	22	3.5	1.5	42	25	21	13	18	20	30	5.5	9.5	11	M3	12	0.18
EK08	8	23	-	26	4	1.5	52	32	26	17	25	26	38	6.6	11	12	M3	14	0.27