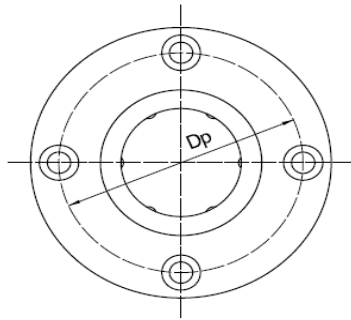
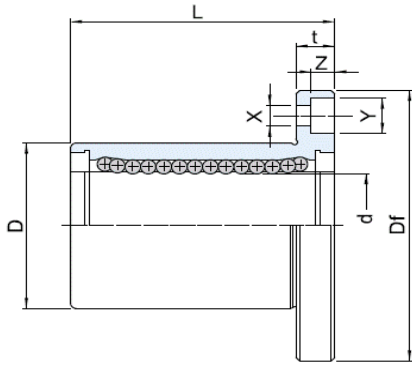
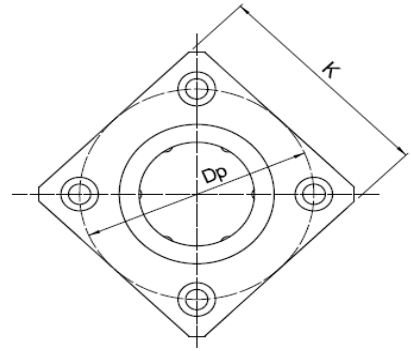


JBF & JBK SERIES

ASIAN SIZE



JBF TYPE



JBK TYPE

Shaft size d mm	Model		Major Dimensions and Tolerance													Load Capacity	
	JBF Type	JBK Type	d		D		L		Df mm	K mm	t mm	Dp mm	X mm	Y mm	Z mm	Basic Dynamic Load Rating C (N)	Basic Static Load Rating Co (N)
			mm	Tol.	mm	Tol.	mm	Tol.									
8	JBF-08A	JBK-08A	8	0 -9	15	0 -11	24	±300	32	25	5	24	3.5	6	3.1	274	392
12	JBF-12A	JBK-12A	12		21	0 -13	30	0 -200	42	32	6	32	4.5	7.5	4.4	412	598
16	JBF-16A	JBK-16A	16		28		37		48	37	6	38	4.5	7.5	4.1	782	1176
20	JBF-20A	JBK-20A	20	0 -10	32	0 -16	42	0 -300	54	42	8	43	5.5	9	5.1	882	1382
25	JBF-25A	JBK-25A	25		40		59		62	50	8	51	5.5	9	5.1	980	1568
30	JBF-30A	JBK-30A	30		45		64		74	58	10	60	6.6	11	6.1	1568	2744
40	JBF-40A	JBK-40A	40		0 -12		60		0 -19	80	96	75	13	78	9	14	8.1