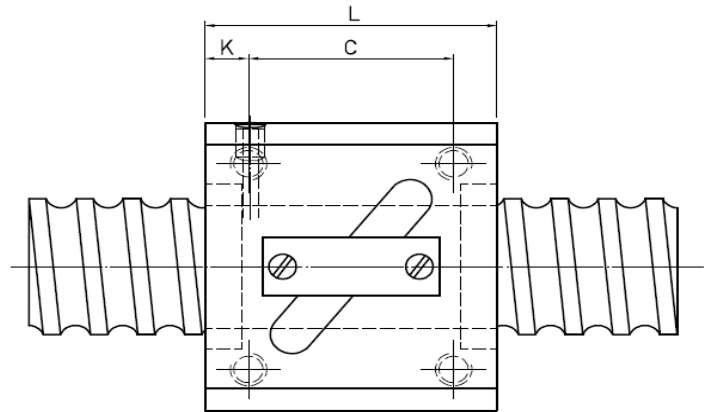
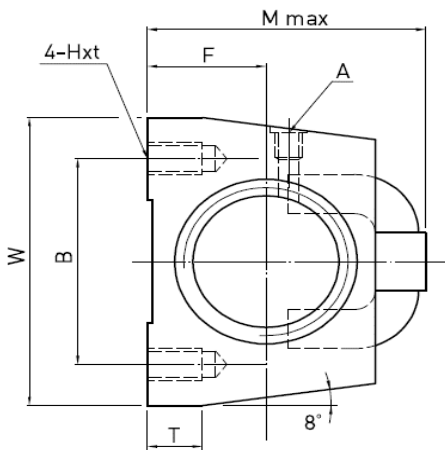


SSV TYPE

ROLLED BALLSCREW



Model	Size		Ball Dia.	Circuits	Dynamic Load 1×10^6 revs C (kgf)	Static Load Co (kgf)	W	F	H x t	L	B	C	K	T	A	M (max)
	Nominal Dia.	Lead														
16-5B1	16	5	3.175	2.5x1	679	1226	42	16	M5x8	36	32	22	6	21.5	M6	36
20-5B1	20			2.5x1	745	1526	48	17	M6x10	35	35	22	5	9	M6	39
25-5B1	25			2.5x1	845	1987	60	20	M8x12	35	40	22	7	9.5	M6	45
32-10B1	32	10	6.350	2.5x1	2413	5172	70	26	M8x12	64	50	45	10	12	M6	62