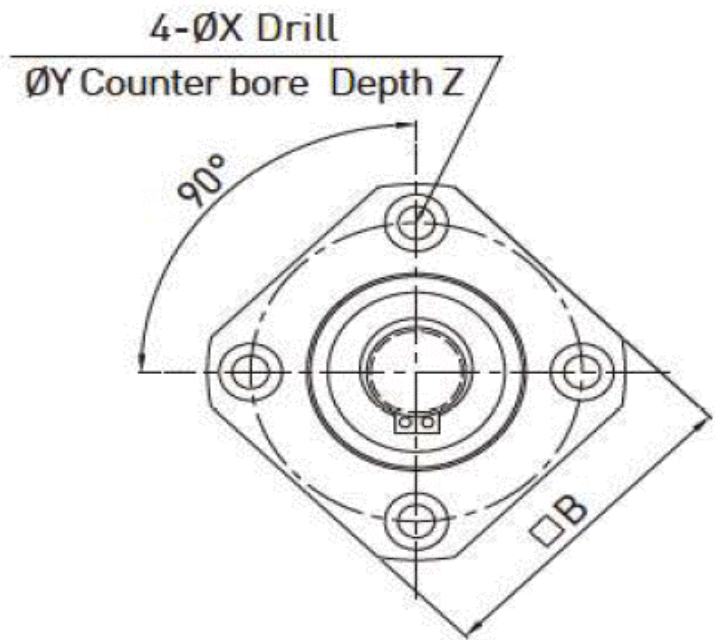
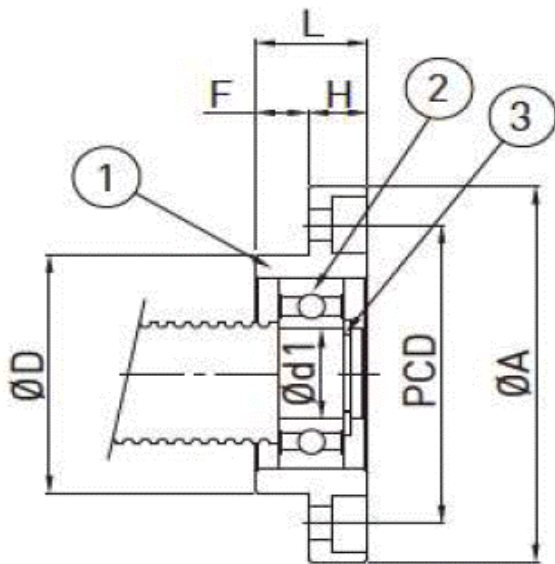


EF SERIES

SUPPORT SIDE



Part Number	Part Name	Qty.
1	Housing	1
2	Bearing	1
3	Snap Ring	1

Specification	Main Dimensions (mm)														Weight (kg)
	d1	L	B	H	b (Note 1)	h (Note 1)	B1	H1	P	X	Y	Z	Bearing	Snap Ring	
EF06	6	12	42	25	21	13	18	20	30	5.5	9.5	11	606ZZ	S06	0.1
EF08	6	14	52	32	26	17	25	26	38	6.6	11	12	606ZZ	S06	0.16