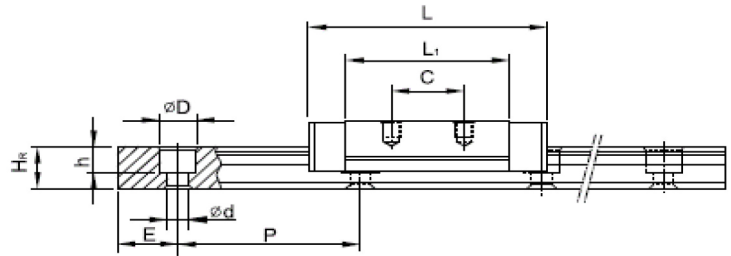
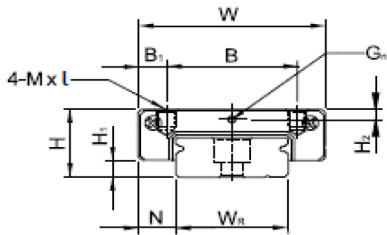


MGW TYPE

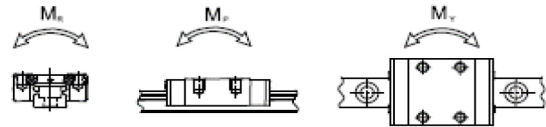
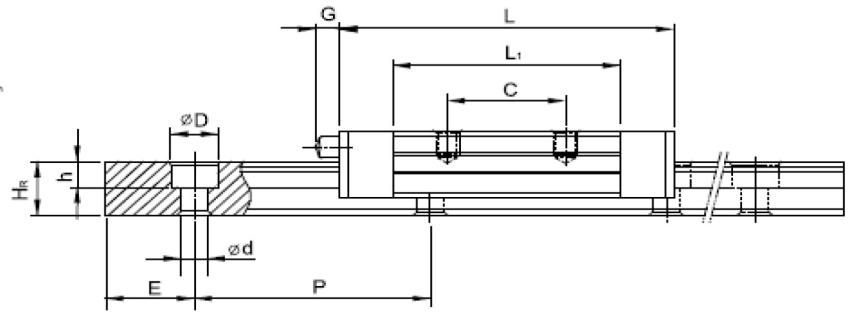
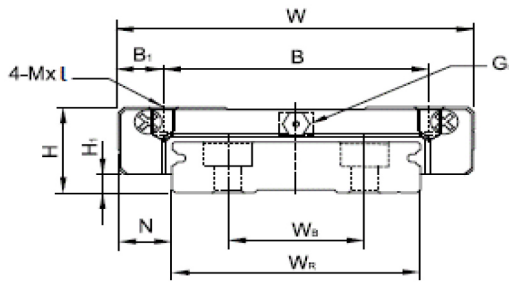
C / H

MGW-C / MGW-H

MGW7, MGW9, MGW12



MGW15



Model	Dimensions of Assembly (mm)			Dimensions of Block (mm)										Dimensions of Rail (mm)						Mounting Bolt for Rail (mm)	Dynamic Load (kN)	Static Load (kN)	Static Rated Moment			Weight			
	H	H ₁	N	W	B	B ₁	C	L ₁	L	G	G ₂	MxL	H ₂	W _R	W _B	H _R	D	h	d				P	E	M _R kN-m	M _P kN-m	M _Y kN-m	Block kg	Rail kg/m
MGW 7C	9	1.9	5.5	25	19	3	10	21	31.2	-	∅1.2	M3x3	1.85	14	-	5.2	6	3.2	3.5	30	10	M3x6	1.37	2.06	15.70	7.14	7.14	0.020	0.51
MGW 7H							19	30.8	41													1.77	3.14	23.45	15.53	15.53	0.029		
MGW 9C	12	2.9	6	30	21	4.5	12	27.5	39.3	-	∅1.2	M3x3	2.4	18	-	7	6	4.5	3.5	30	10	M3x8	2.75	4.12	40.12	18.96	18.96	0.040	0.91
MGW 9H					23	3.5	24	38.5	50.7													3.43	5.89	54.54	34.00	34.00	0.057		
MGW 12C	14	3.4	8	40	28	6	15	31.3	46.1	-	∅1.2	M3x3.6	2.8	24	-	8.5	8	4.5	4.5	40	15	M4x8	3.92	5.59	70.34	27.80	27.80	0.071	1.49
MGW 12H							28	45.6	60.4													5.10	8.24	102.70	57.37	57.37	0.103		
MGW 15C	16	3.4	9	60	45	7.5	20	38	54.8	5.2	M3	M4x4.2	3.2	42	23	9.5	8	4.5	4.5	40	15	M4x10	6.77	9.22	199.34	56.66	56.66	0.143	2.86
MGW 15H							35	57	73.8													8.93	13.38	299.01	122.60	122.60	0.215		