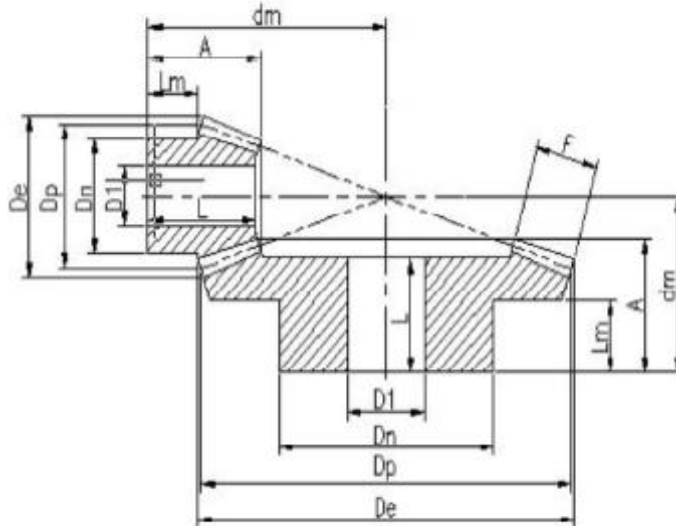


BEVEL GEARS

M1.5, M2, M2.5, M3

PRESURE ANGLE 20 MATERIAL C45



RATIO 1:1

M	Z	De	Dp	A	F	Dn	D1	dm	L	Lm
1.5	16	26.1	24	18	8	18	18	23.8	17	8.9
	30	47.1	45	25	10	30	12	39.7	22.5	12
2	16	34.8	32	20	9	25	10	28.8	17	9.3
	30	62.8	60	30	16	50	12	47.8	27	12.8
2.5	16	43.5	40	25.5	10	32	12	37.3	22	13.3
	30	78.5	75	35.5	18	55	15	59.1	32	16
3	16	52.2	48	30	12	40	15	44.2	26	16.2
	30	94.4	90	40	22	60	20	68.1	36	19

RATIO 1:2

M	Z	De	Dp	A	F	Dn	D1	dm	L	Lm
1.5	16	26.7	24	18.5	8	21	10	34.9	17	10.3
	32	49.3	48	20	8	32	12	27.5	17.5	10
2	16	35.6	32	23	10	27	10	45.4	21	12.2
	32	65.8	64	25	10	40	12	35.2	22	10
2.5	16	44.4	40	27.5	12	34	12	56	25	14.4
	32	82.2	80	30	12	50	15	43.3	26.5	15
3	16	53.4	48	28	15	40	15	61.6	25	11.6
	32	98.7	96	35	15	60	15	50.4	30.5	15

RATIO 1:3

M	Z	De	Dp	A	F	Dn	D1	dm	L	Lm
1.5	16	26.9	24	22	12	20	10	46.3	21	9.7
	48	72.9	72	22	12	42	15	29.2	19	12
2	16	35.8	32	25.5	15	25	12	58.9	24	9.4
	48	97.3	96	26	15	50	15	35.9	22	13
2.5	16	44.7	40	28	18	33	14	70.4	26	9.2
	48	121.6	120	32	18	60	20	44.6	27	16
3	16	53.7	48	30	18	42	15	84.2	28	11.2
	48	145.9	144	38	18	65	20	54.1	32	19