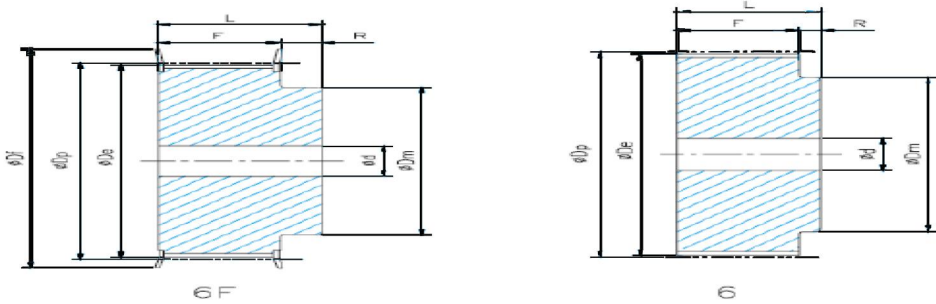


METRIC PULLEY 31 AT10

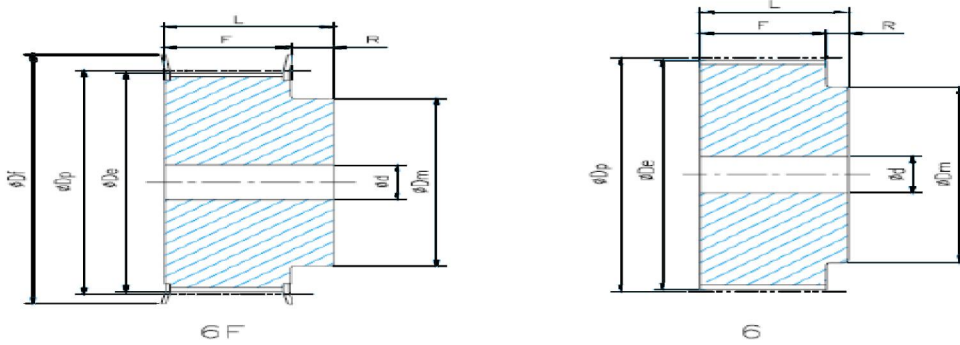
PILLOT BORE, ALLUMINIUM MATERIAL



Part Number	Teeth Number	Config.	Material	Dp	De	Df	Hub Dia Dm	Width F	Length L	Bore d	Flange Dimension
31AT10-15-2	15	6F	Alu	47.90	45.90	51	32	21	31	8	51x40x1.0
31AT10-16-2	16	6F	Alu	51.05	49.05	54	35	21	31	8	54x43x1.0
31AT10-18-2	18	6F	Alu	57.45	55.45	60	40	21	31	8	60x47x1.0
31AT10-19-2	19	6F	Alu	60.60	58.60	66	44	21	31	8	66.5x52x1.0
31AT10-20-2	20	6F	Alu	63.80	61.80	66	46	21	31	8	66.5x52x1.0
31AT10-22-2	22	6F	Alu	70.15	68.15	75	52	21	31	8	75x60x1.0
31AT10-24-2	24	6F	Alu	76.55	74.55	83	58	21	31	8	83x68x1.0
31AT10-25-2	25	6F	Alu	79.70	77.70	83	60	21	31	8	83x68x1.0
31AT10-26-2	26	6F	Alu	82.90	80.90	87	60	21	31	8	87x72x1.0
31AT10-27-2	27	6F	Alu	86.10	84.10	91	60	21	31	8	91x76x1.0
31AT10-28-2	28	6F	Alu	89.25	87.25	93	60	21	31	8	93x80x1.0
31AT10-30-2	30	6F	Alu	95.65	93.65	97	60	21	31	8	97x83x1.0
31AT10-32-2	32	6F	Alu	102.00	100.00	106	65	21	31	10	106x9-x1.0
31AT10-36-2	36	6F	Alu	114.75	112.75	119	70	21	31	10	119x103x1.0
31AT10-40-2	40	6F	Alu	127.45	125.45	131	80	21	31	10	131x115x1.0
31AT10-44-0	44	6	Alu	140.20	138.20	-	88	21	31	10	-
31AT10-48-0	48	6	Alu	152.95	150.95	-	95	21	31	16	-
31AT10-60-0	60	6	Alu	191.10	189.10	-	110	21	31	16	-

METRIC PULLEY 40 AT10

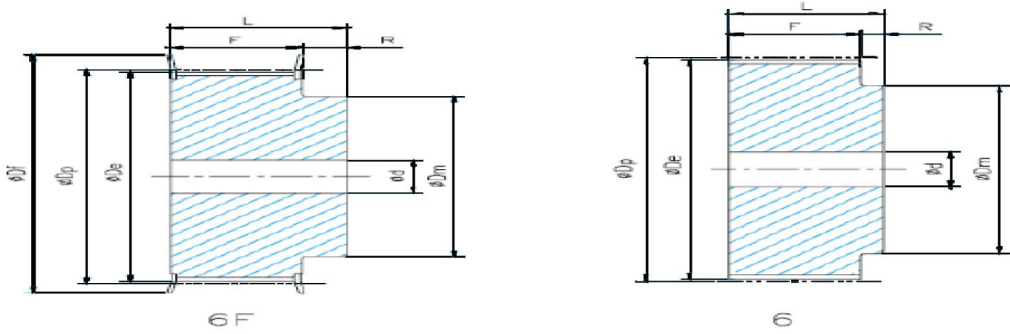
PILLOT BORE, ALLUMINIUM MATERIAL



Part Number	Teeth Number	Config.	Material	Dp	De	Df	Hub Dia Dm	Width F	Length L	Bore d	Flange Dimension
40AT10-15-2	15	6F	Alu	47.90	45.90	51	32	30	40	8	51x40x1.0
40AT10-16-2	16	6F	Alu	51.05	49.05	54	35	30	40	8	54x43x1.0
40AT10-18-2	18	6F	Alu	57.45	55.45	60	40	30	40	8	60x47x1.0
40AT10-19-2	19	6F	Alu	60.60	58.60	66	44	30	40	8	66.5x52x1.0
40AT10-20-2	20	6F	Alu	63.80	61.80	66	46	30	40	8	66.5x52x1.0
40AT10-22-2	22	6F	Alu	70.15	68.15	75	52	30	40	8	75x60x1.0
40AT10-24-2	24	6F	Alu	76.55	74.55	83	58	30	40	8	83x68x1.0
40AT10-25-2	25	6F	Alu	79.70	77.70	83	60	30	40	8	83x68x1.0
40AT10-26-2	26	6F	Alu	82.90	80.90	87	60	30	40	8	87x72x1.0
40AT10-27-2	27	6F	Alu	86.10	84.10	91	60	30	40	8	91x76x1.0
40AT10-28-2	28	6F	Alu	89.25	87.25	93	60	30	40	8	93x80x1.0
40AT10-30-2	30	6F	Alu	95.65	93.65	97	60	30	40	8	97x83x1.0
40AT10-32-2	32	6F	Alu	102.00	100.00	106	65	30	40	10	106x9-x1.0
40AT10-36-2	36	6F	Alu	114.75	112.75	119	70	30	40	10	119x103x1.0
40AT10-40-2	40	6F	Alu	127.45	125.45	131	80	30	40	10	131x115x1.0
40AT10-44-0	44	6	Alu	140.20	138.20	-	88	30	40	10	-
40AT10-48-0	48	6	Alu	152.95	150.95	-	95	30	40	16	-
40AT10-60-0	60	6	Alu	191.10	189.10	-	110	30	40	16	-

METRIC PULLEY 47 AT10

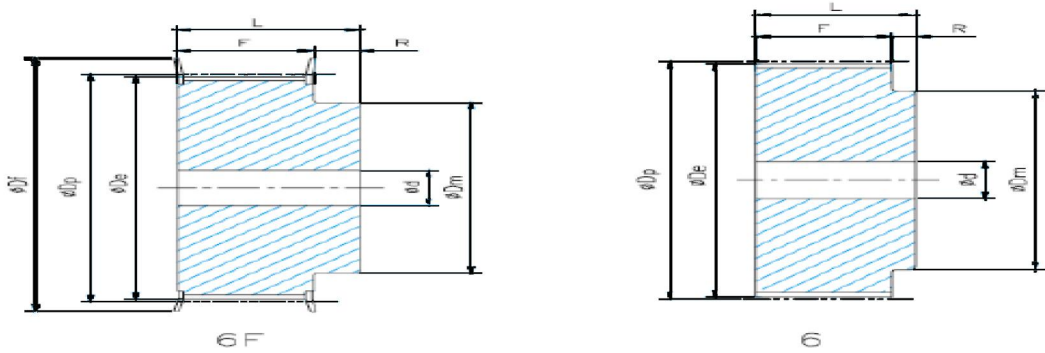
PILLOT BORE, ALLUMINIUM MATERIAL



Part Number	Teeth Number	Config.	Material	Dp	De	Df	Hub Dia Dm	Width F	Length L	Bore d	Flange Dimension
47AT10-18-2	18	6F	Alu	57.45	55.45	60	40	37	47	10	60x47x1.0
47AT10-19-2	19	6F	Alu	60.60	58.60	66	44	37	47	10	66.5x52x1.0
47AT10-20-2	20	6F	Alu	63.80	61.80	66	46	37	47	12	66.5x52x1.0
47AT10-22-2	22	6F	Alu	70.15	68.15	75	52	37	47	12	75x60x1.0
47AT10-24-2	24	6F	Alu	76.55	74.55	83	58	37	47	12	83x68x1.0
47AT10-25-2	25	6F	Alu	79.70	77.70	83	60	37	47	12	83x68x1.0
47AT10-26-2	26	6F	Alu	82.90	80.90	87	60	37	47	12	87x72x1.0
47AT10-27-2	27	6F	Alu	86.10	84.10	91	60	37	47	12	91x76x1.0
47AT10-28-2	28	6F	Alu	89.25	87.25	93	60	37	47	12	93x80x1.0
47AT10-30-2	30	6F	Alu	95.65	93.65	97	60	37	47	12	97x83x1.0
47AT10-32-2	32	6F	Alu	102.00	100.00	106	65	37	47	12	106x9-x1.0
47AT10-36-2	36	6F	Alu	114.75	112.75	119	70	37	47	16	119x103x1.0
47AT10-40-2	40	6F	Alu	127.45	125.45	131	80	37	47	16	131x115x1.0
47AT10-44-0	44	6	Alu	140.20	138.20	-	88	37	47	16	-
47AT10-48-0	48	6	Alu	152.95	150.95	-	95	37	47	16	-
47AT10-60-0	60	6	Alu	191.10	189.10	-	110	37	47	16	-

METRIC PULLEY 66 AT10

PILLOT BORE, ALLUMINIUM MATERIAL



Part Number	Teeth Number	Config.	Material	Dp	De	Df	Hub Dia Dm	Width F	Length L	Bore d	Flange Dimension
66AT10-18-2	18	6F	Alu	57.45	55.45	60	40	56	66	10	60x47x1.0
66AT10-19-2	19	6F	Alu	60.60	58.60	66	44	56	66	10	66.5x52x1.0
66AT10-20-2	20	6F	Alu	63.80	61.80	66	46	56	66	12	66.5x52x1.0
66AT10-22-2	22	6F	Alu	70.15	68.15	75	52	56	66	12	75x60x1.0
66AT10-24-2	24	6F	Alu	76.55	74.55	83	58	56	66	12	83x68x1.0
66AT10-25-2	25	6F	Alu	79.70	77.70	83	60	56	66	12	83x68x1.0
66AT10-26-2	26	6F	Alu	82.90	80.90	87	60	56	66	12	87x72x1.0
66AT10-27-2	27	6F	Alu	86.10	84.10	91	60	56	66	12	91x76x1.0
66AT10-28-2	28	6F	Alu	89.25	87.25	93	60	56	66	12	93x80x1.0
66AT10-30-2	30	6F	Alu	95.65	93.65	97	60	56	66	12	97x83x1.0
66AT10-32-2	32	6F	Alu	102.00	100.00	106	65	56	66	12	106x9-x1.0
66AT10-36-2	36	6F	Alu	114.75	112.75	119	70	56	66	16	119x103x1.0
66AT10-40-2	40	6F	Alu	127.45	125.45	131	80	56	66	16	131x115x1.0
66AT10-44-0	44	6	Alu	140.20	138.20	-	88	56	66	16	-
66AT10-48-0	48	6	Alu	152.95	150.95	-	95	56	66	16	-
66AT10-60-0	60	6	Alu	191.10	189.10	-	110	56	66	16	-