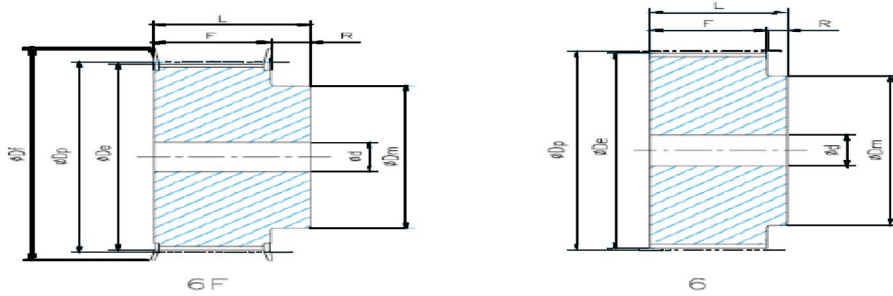


METRIC PULLEY 21 AT5

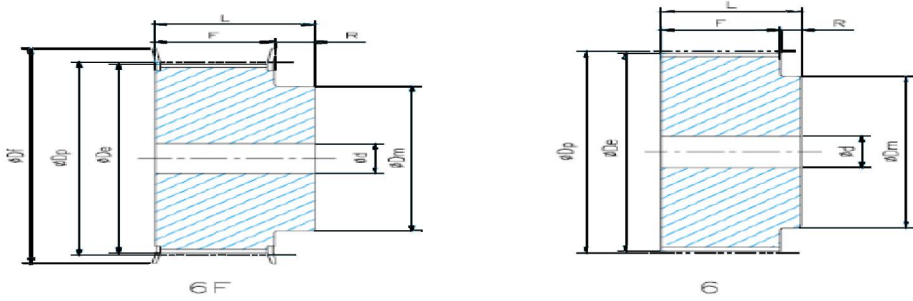
PILLOT BORE, ALLUMINIUM MATERIAL



Part Number	Teeth Number	Config.	Material	Dp	De	Df	Hub Dia Dm	Width F	Length L	Bore d	Flange Dimension
21AT5-12-2	12	6F	Alu	19.25	17.85	23	11	15	21	-	23x12.5x1.0
21AT5-14-2	14	6F	Alu	22.45	21.05	25	14	15	21	-	25x15x1.0
21AT5-15-2	15	6F	Alu	24.05	22.65	28	16	15	21	-	28x17.8x1.0
21AT5-16-2	16	6F	Alu	25.60	24.20	32	18	15	21	-	32x20x1.0
21AT5-18-2	18	6F	Alu	28.80	27.40	32	20	15	21	-	32x23x1.0
21AT5-19-2	19	6F	Alu	30.40	29.00	36	22	15	21	-	36x25x1.0
21AT5-20-2	20	6F	Alu	32.00	30.60	36	23	15	21	-	36x25x1.0
21AT5-22-2	22	6F	Alu	32.15	33.85	38	24	15	21	-	38x26.5x1.0
21AT5-24-2	24	6F	Alu	38.40	37.00	42	26	15	21	-	42x30.5x1.0
21AT5-25-2	25	6F	Alu	39.95	38.60	44	26	15	21	-	44x32.5x1.0
21AT5-26-2	26	6F	Alu	41.60	40.20	44	26	15	21	-	44x32.5x1.0
21AT5-27-2	27	6F	Alu	43.20	41.80	48	30	15	21	8	48x37x1.0
21AT5-28-2	28	6F	Alu	44.75	43.35	48	32	15	21	8	48x37x1.0
21AT5-30-2	30	6F	Alu	47.95	46.55	51	34	15	21	8	51x40x1.0
21AT5-32-2	32	6F	Alu	51.10	49.70	54	38	15	21	8	54x43x1.0
21AT5-36-2	36	6F	Alu	57.45	56.05	64	38	15	21	8	64x47x1.0
21AT5-40-2	40	6F	Alu	63.85	62.45	66.5	40	15	21	8	66.5x52x1.0
21AT5-42-2	42	6F	Alu	67.00	65.60	70	40	15	21	8	70x53x1.0
21AT5-44-0	44	6	Alu	70.20	68.80	-	45	15	21	8	-
21AT5-48-0	48	6	Alu	76.55	75.15	-	50	15	21	8	-
21AT5-60-0	60	6	Alu	95.65	94.25	-	65	15	21	8	-

METRIC PULLEY 27 AT5

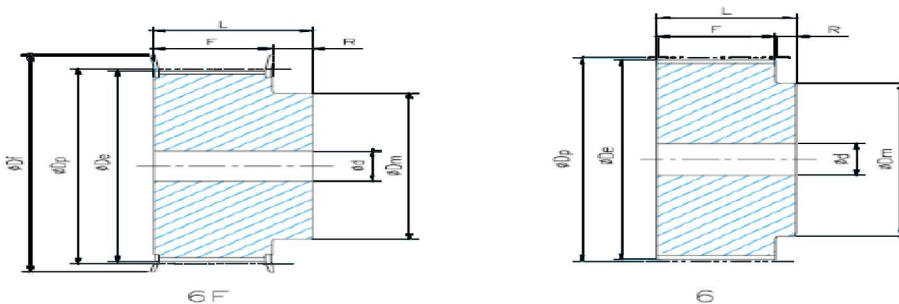
PILLOT BORE, ALLUMINIUM MATERIAL



Part Number	Teeth Number	Config.	Material	Dp	De	Df	Hub Dia Dm	Width F	Length L	Bore d	Flange Dimension
27AT5-12-2	12	6F	Alu	19.25	17.85	23	11	21	27	-	23x12.5x1.0
27AT5-14-2	14	6F	Alu	22.45	21.05	25	14	21	27	-	25x15x1.0
27AT5-15-2	15	6F	Alu	24.05	22.65	28	16	21	27	-	28x17.8x1.0
27AT5-16-2	16	6F	Alu	25.60	24.20	32	18	21	27	-	32x20x1.0
27AT5-18-2	18	6F	Alu	28.80	27.40	32	20	21	27	-	32x23x1.0
27AT5-19-2	19	6F	Alu	30.40	29.00	36	22	21	27	-	36x25x1.0
27AT5-20-2	20	6F	Alu	32.00	30.60	36	23	21	27	-	36x25x1.0
27AT5-22-2	22	6F	Alu	32.15	33.85	38	24	21	27	-	38x26.5x1.0
27AT5-24-2	24	6F	Alu	38.40	37.00	42	26	21	27	-	42x30.5x1.0
27AT5-25-2	25	6F	Alu	39.95	38.60	44	26	21	27	-	44x32.5x1.0
27AT5-26-2	26	6F	Alu	41.60	40.20	44	26	21	27	-	44x32.5x1.0
27AT5-27-2	27	6F	Alu	43.20	41.80	48	30	21	27	8	48x37x1.0
27AT5-28-2	28	6F	Alu	44.75	43.35	48	32	21	27	8	48x37x1.0
27AT5-30-2	30	6F	Alu	47.95	46.55	51	34	21	27	8	51x40x1.0
27AT5-32-2	32	6F	Alu	51.10	49.70	54	38	21	27	8	54x43x1.0
27AT5-36-2	36	6F	Alu	57.45	56.05	64	38	21	27	8	64x47x1.0
27AT5-40-2	40	6F	Alu	63.85	62.45	66.5	40	21	27	8	66.5x52x1.0
27AT5-42-2	42	6F	Alu	67.00	65.60	70	40	21	27	8	70x53x1.0
27AT5-44-0	44	6	Alu	70.20	68.80	-	45	21	27	8	-
27AT5-48-0	48	6	Alu	76.55	75.15	-	50	21	27	8	-
27AT5-60-0	60	6	Alu	95.65	94.25	-	65	21	27	8	-

METRIC PULLEY 36 AT5

PILLOT BORE, ALLUMINIUM MATERIAL



Part Number	Teeth Number	Config.	Material	Dp	De	Df	Hub Dia Dm	Width F	Length L	Bore d	Flange Dimension
36AT5-12-2	12	6F	Alu	19.25	17.85	23	11	30	36	-	23x12.5x1.0
36AT5-14-2	14	6F	Alu	22.45	21.05	25	14	30	36	-	25x15x1.0
36AT5-15-2	15	6F	Alu	24.05	22.65	28	16	30	36	-	28x17.8x1.0
36AT5-16-2	16	6F	Alu	25.60	24.20	32	18	30	36	-	32x20x1.0
36AT5-18-2	18	6F	Alu	28.80	27.40	32	20	30	36	-	32x23x1.0
36AT5-19-2	19	6F	Alu	30.40	29.00	36	22	30	36	-	36x25x1.0
36AT5-20-2	20	6F	Alu	32.00	30.60	36	23	30	36	-	36x25x1.0
36AT5-22-2	22	6F	Alu	32.15	33.85	38	24	30	36	-	38x26.5x1.0
36AT5-24-2	24	6F	Alu	38.40	37.00	42	26	30	36	-	42x30.5x1.0
36AT5-25-2	25	6F	Alu	39.95	38.60	44	26	30	36	-	44x32.5x1.0
36AT5-26-2	26	6F	Alu	41.60	40.20	44	26	30	36	-	44x32.5x1.0
36AT5-27-2	27	6F	Alu	43.20	41.80	48	30	30	36	8	48x37x1.0
36AT5-28-2	28	6F	Alu	44.75	43.35	48	32	30	36	8	48x37x1.0
36AT5-30-2	30	6F	Alu	47.95	46.55	51	34	30	36	8	51x40x1.0
36AT5-32-2	32	6F	Alu	51.10	49.70	54	38	30	36	8	54x43x1.0
36AT5-36-2	36	6F	Alu	57.45	56.05	64	38	30	36	8	64x47x1.0
36AT5-40-2	40	6F	Alu	63.85	62.45	66.5	40	30	36	8	66.5x52x1.0
36AT5-42-2	42	6F	Alu	67.00	65.60	70	40	30	36	8	70x53x1.0
36AT5-44-0	44	6	Alu	70.20	68.80	-	45	30	36	8	-
36AT5-48-0	48	6	Alu	76.55	75.15	-	50	30	36	8	-
36AT5-60-0	60	6	Alu	95.65	94.25	-	65	30	36	8	-